

Machine not in Use – Flavia

For extended periods of hibernation, the machine should be disconnected from both the mains power and water supply . And where possible drained of water as described below

+ 4 Days

1. Drain off

Isolate power supply.

Drain off all water from cold storage tank

Follow General Cleaning instructions.

Sanitise selection buttons and external surfaces

Draining C200

Draining
C400+C500

Draining
E400 Barista

2. Refill

Refill with potable drinking water only (unplumbed)

Reconnect power supply

Allow machine to refill (plumbed)

Allow machine to reheat (5 mins)

3. Flush

Vend 6x Hot Water Only vends (where option available)

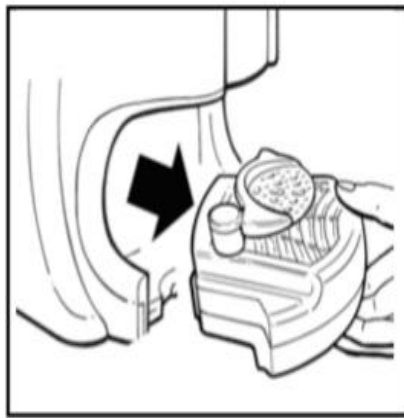
or 6x product vends and discard .

Repeat steps 1- 3 as necessary

DRAINING THE COLD WATER RESERVOIR

On occasion it may be necessary to drain the Cold Water Reservoir. For example: when set Brewer for 'plumbed' operation, when transporting (or storing) the Brewer; or when refreshing water supply.

Note MAKE SURE YOUR BREWER IS SWITCHED OFF



Step 1: Remove the drip tray.



Step 2: Remove the cup surround liner by holding the outer edges and pulling forward.



Step 3: Pull the machine forward to the edge of the work surface and place a large jug underneath.

Step 4: Remove the rubber seal and drain the water. Note the water may flow fast, depending on how much water is in the reservoir.



Step 5: Replace bung, reassemble cup surround and drip tray.

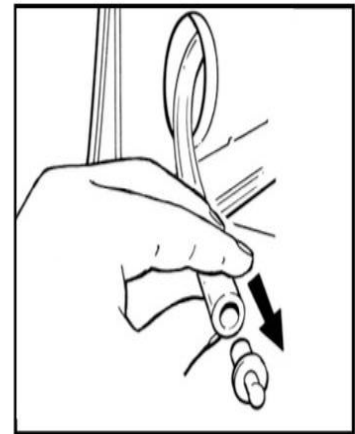
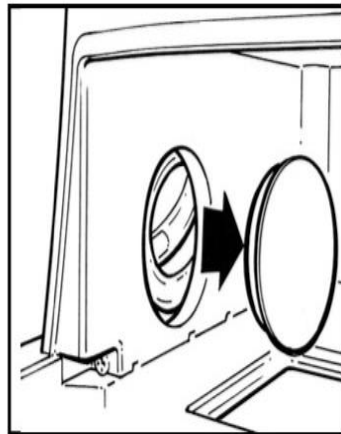
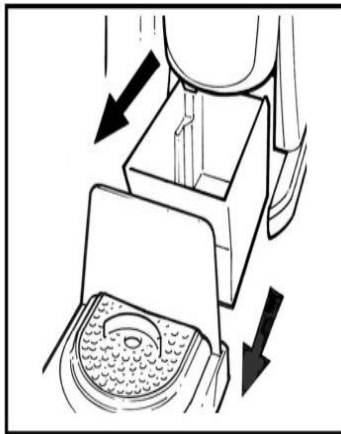
DRAINING YOUR BREWER

Draining is recommended before moving the brewer.

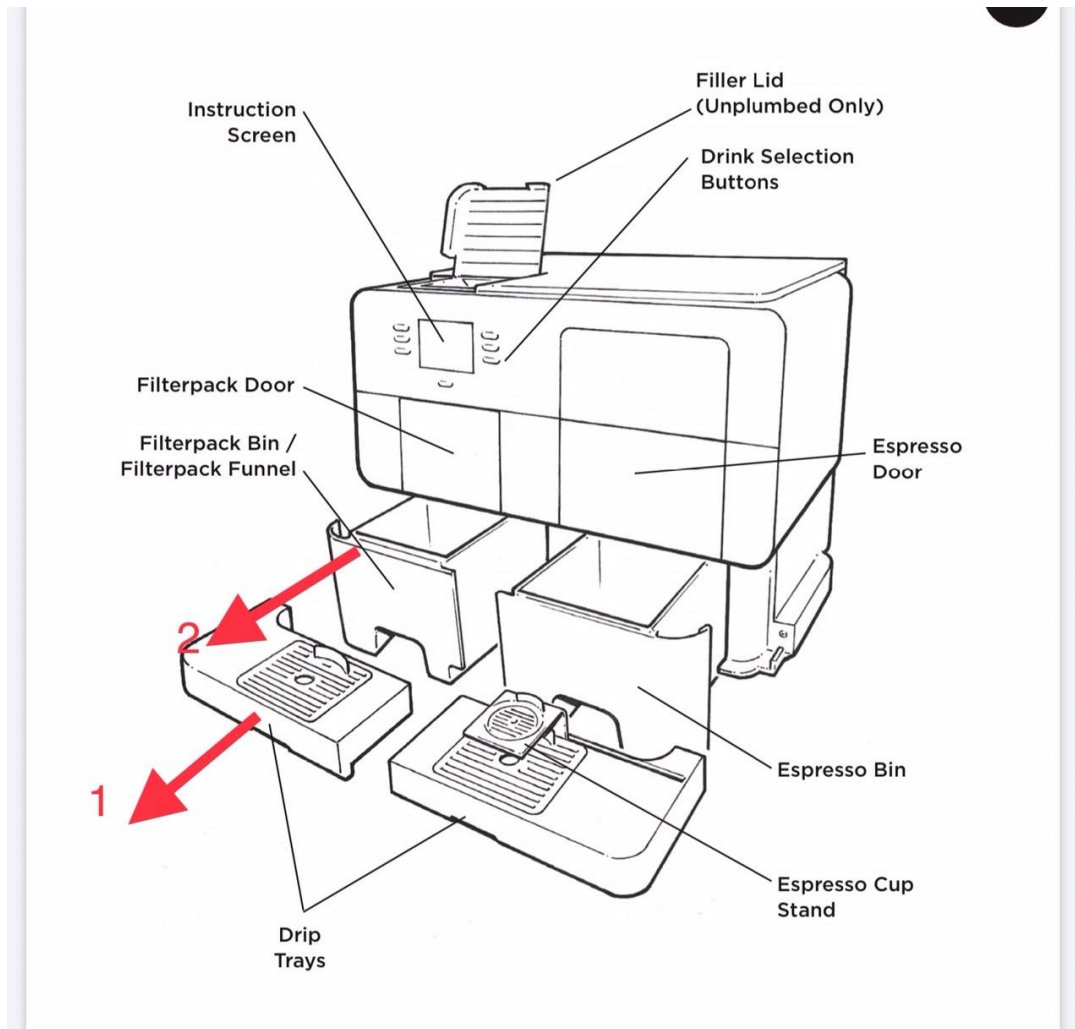


Notice • Make sure brewer is turned off

1. Remove drip tray and bin
2. Remove bung. CAUTION - WATER MAY BE HOT
3. Allow all water to drain out
4. Replace bung fully
5. Clip drain tube back into place



E400 Barista



DRAINING YOUR BREWER

Draining is recommended before moving the brewer.

Notice

Make sure brewer is turned off

1. Remove filter pack drip tray and bin
2. Remove bung. CAUTION - WATER MAY BE HOT
3. Allow all water to drain out
4. Replace bung fully
5. Clip drain tube back into place

